

READ ME FIRST!

56K Voice Internal PCI Installation Guide For Windows® 95, 98 and 2000

P/N 2.024.437

Before You Begin

Before you install your new modem in your computer, first insert the Installation CD into your CD-ROM drive. Doing so will automatically copy all the necessary modem drivers to your computer and will simplify the installation process later on. The driver installer should run automatically and a CD user interface should appear on your computer screen after a few seconds. If it does not, click Windows **Start** and then **Run**. In the "Run" dialog box, type **D:\setup.exe**. If your CD-ROM drive uses a different letter, type that letter in place of "D." Once the CD user interface appears on your computer screen the drivers have then successfully been copied to your computer. Go to installation Step 1.

1 Prepare for installation.

Write the modem's serial number in the box below. The serial number is located on the white bar code sticker on the modem and on the modem's box.

NOTE: It is very important that you have your serial number written down for future reference. If you ever need to call our Technical Support department, you will need this number to receive assistance.

Make sure to insert the Installation CD into your CD-ROM drive in your computer before installing your modem. Doing so will automatically install all the necessary modem drivers to your computer. Turn off your computer and all peripheral devices. Unplug your computer and remove the computer's cover.

2 Remove the expansion slot cover.

CAUTION: To avoid the risk of electrical shock, make sure your computer and all peripheral devices are turned off and disconnected from all electrical power sources.

Unscrew and remove the expansion slot cover at the back of an empty PCI expansion slot. The slot cover is on the back of your computer and covers an opening on your computer's case. The opening lines up with the expansion slot inside the computer, which is 3.5 inches long and usually white plastic lined with metal.

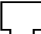
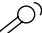
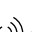
3 Insert the modem into the empty PCI expansion slot.

Insert the modem, black edge first, into the PCI slot. The modem will fit snugly. You may need to rock the modem back and forth firmly to properly seat it in the slot.

NOTE: Properly seating this modem in the slot can be difficult, because it requires more force than some other internal modems. Use firm downward pressure. When the modem is properly installed, you will no longer see any part of the black edge.

The modem's metal bracket will cover the opening on the back of the computer. Secure the modem with the screw you removed in step two. Replace the computer's cover.

4 Connect the modem to an analogue phone line.

Plug one end of the provided phone cord into the jack on the modem labeled  and plug the other end into an analogue phone wall jack. Plug your microphone into the modem's jack labeled . Plug your powered speakers (not included) into the jack labeled .

5 Windows installs the drivers.

Windows 95, 98 and 2000 Users

Make sure that the Installation CD is still in your CD-ROM drive, then turn on your computer. Windows will detect your modem and install its drivers.

Your modem is now installed. Your operating system should verify this.

For Troubleshooting/Technical Support information, refer to the Troubleshooting section of the Modem Users Manual on the Installation CD-ROM. The Installation CD also includes communications software for you to use with your new modem.

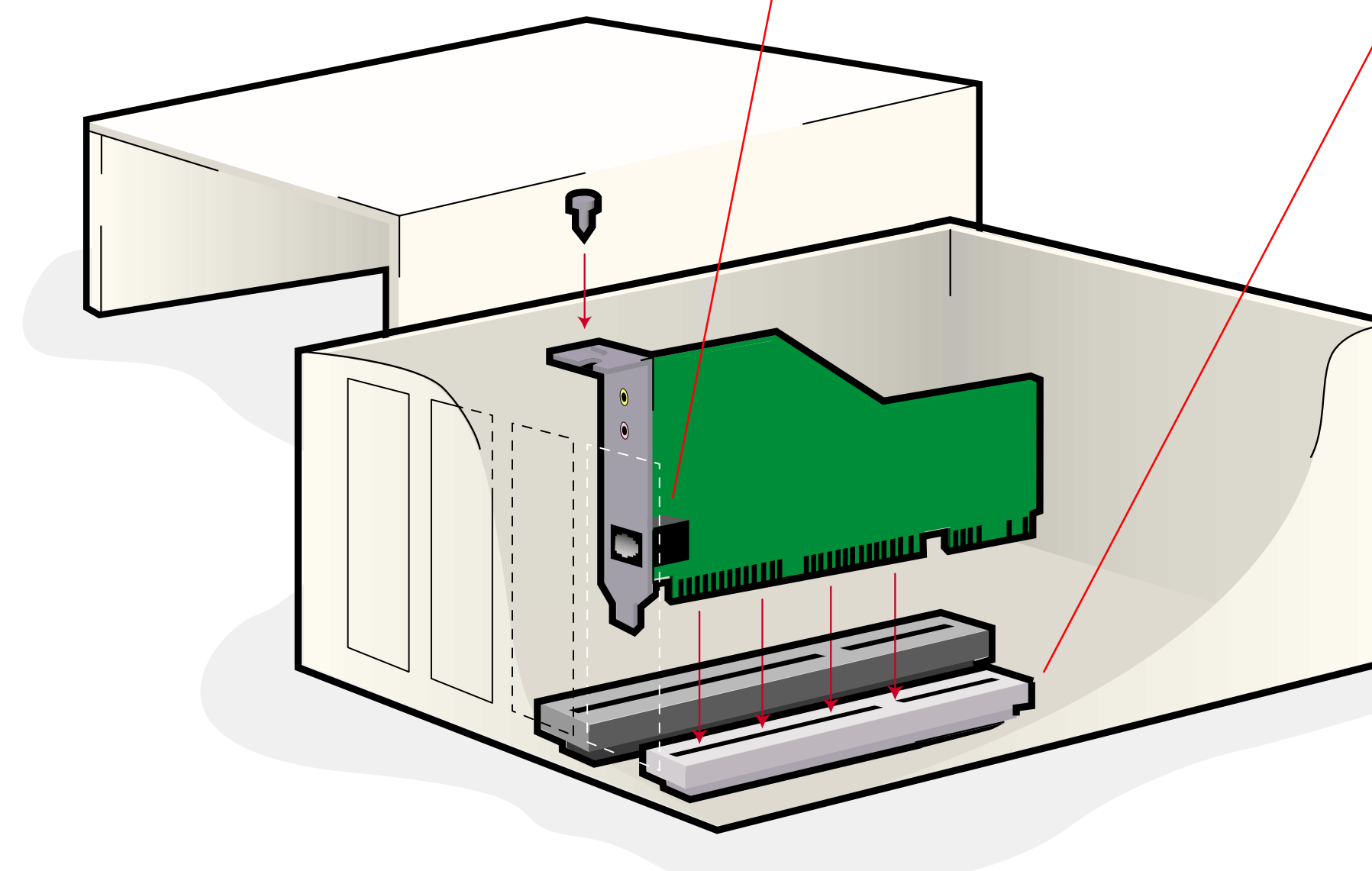
6 Install the *Connections* CD*.

Remove the Installation CD and insert the *Connections* CD. The *Connections* CD will start automatically once you have successfully installed your modem. It will guide you through installing the *Connections* program group.

* *Connections* CD not available in all regions/countries.

If you are manually installing the modem's driver files, you can find them in the following directories on your Installation CD ROM. For proper installation, you must use the files in the directories listed below, for each operating system. (Assumes D: is your CD ROM drive)

Windows 95/98: D:\Win_9x\
 Windows NT: D:\NT4\802884A\
 Windows 2000: D:\Win_2000\



For troubleshooting help or to find out how to contact technical support, refer to the Troubleshooting section of the Modem Users Manual on the Installation CD-ROM.

*IMPORTANT! In accordance with the ITU-T standard for 56K transmissions (V.90), this modem is capable of 56 Kbps downloads. However, the download speeds you experience may lower due to varying line conditions and other factors. Uploads from users to server equipment travel at speeds up to 31.2 Kbps. An analogue phone line compatible with the V.90 standard, and an Internet provider or corporate host site compatible with the V.90 standard is necessary for these high-speed downloads.

Copyright ©1999 3Com Corporation. All rights reserved. 3Com, the 3Com logo and U.S. Robotics are registered trademarks; Connections is a trademark of 3Com Corporation. Windows is a registered trademark of Microsoft Corp. All other trademarks are used for identification purposes only and may be trademarks and/or registered trademarks of their respective companies.

